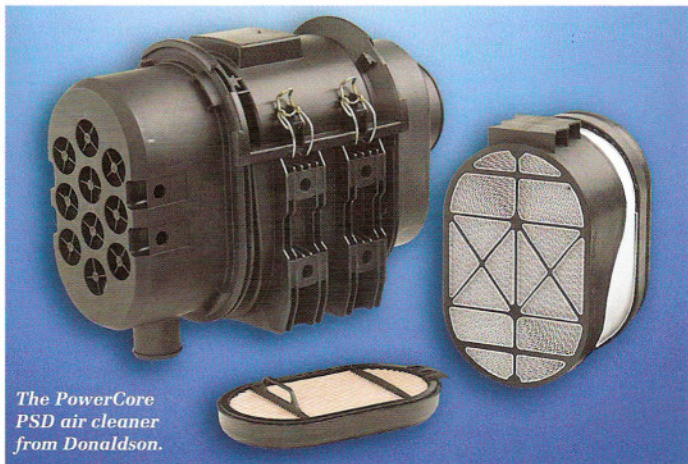


## Two-stage filtration in a single, compact air cleaner

Donaldson's new air cleaner expands the PSD family of air cleaners that includes side access and end access models in a range of sizes. The PowerCore® PSD non-metal air cleaner is a side access unit offering – says Donaldson – the trusted features and benefits of two-stage filtration in a single, compact unit that delivers superior filtration performance using Donaldson PowerCore filtration technology.

According to Donaldson, PowerCore technology offers excellent performance in a small package – giving the freedom to design unique configurations to fit tight spots and overall design simplicity. In addition, shipping and inventory costs are lower given that PowerCore filters are lighter and take up less shelf space than competing filters. Moreover, they are said to be three times more efficient than average conventional pleated filters.

Ideal applications for the PSD air cleaner family include off-road equipment operating in medium to heavy dust conditions with engine airflow ranges up to 245 cfm. Models have either end or side filter service access with a sustained temperature tolerance of -40° C to 82° C. **Donaldson Filtration Systems, tel (+27 11) 997-6000, e-mail: [marketing.sa@donaldson.com](mailto:marketing.sa@donaldson.com)**



*The PowerCore  
PSD air cleaner  
from Donaldson.*